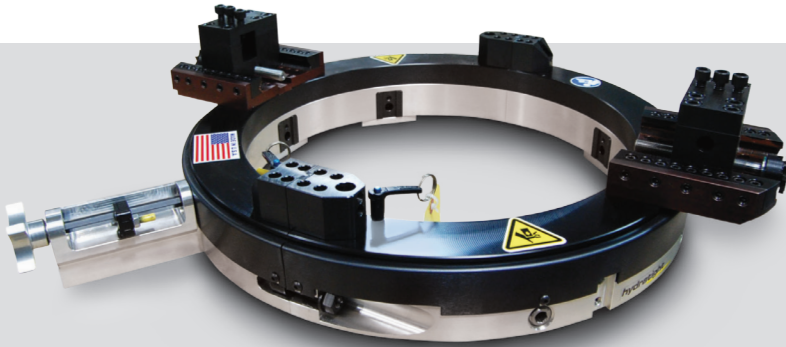


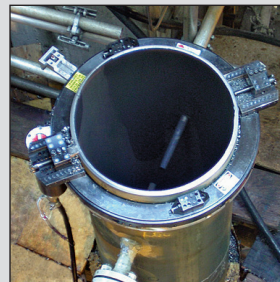
NB Clamshells



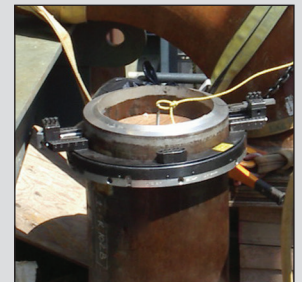
The Hydratight NB or Narrow Body portable Clamshell series are ideal when space is at a premium. Each of the machines within the NB series have a height of 3" (76.2 mm) and a width of 2.25" (57.2 mm). The resulting narrow body low profile design makes the NB series the perfect choice in tight spaces or if obstructions are present.

Features:

- 15 Standard models cover a range from 2.0" (50.8 mm) to 36" (914.4 mm) OD
- Pneumatic, hydraulic and electric drive options provide increased versatility
- Fully adjustable heavy duty bearing design provides greater serviceability
- Stepped and keyed gear clamps equipped with a through bolt provide a positive fit at each assembly joint
- Several different drive options are available to best position the motor for a specific machining application
- NB series clamshells accept a wide range of accessories to increase performance and expand capabilities
- Locator extensions are compatible with the MS series clamshells

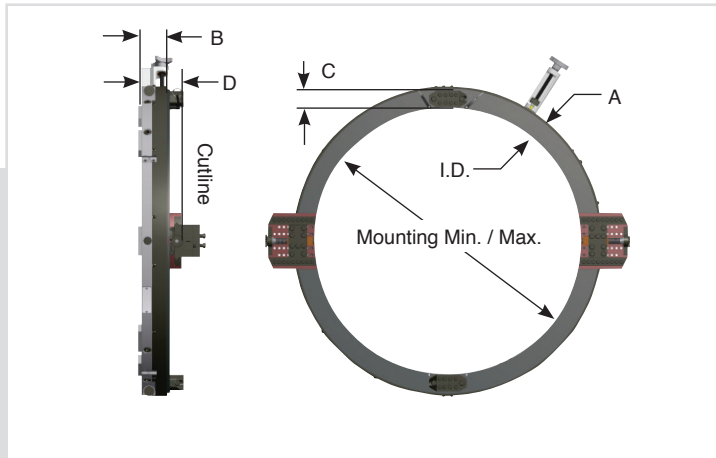


Full range of sizes



Ideal for confined spaces

NB Clamshells



NB Clamshell Specs (all models):

- B = 3" (76.2 mm)
- C = 2.25" (57.2 mm)
- D = 4.5" (114.3 mm)

* "D" dimension (or cutline) may change with different tooling.
Contact consultant for specifics.

Model	Part Number	Unit of Measure	Mounting Min Max	Machine ID	A	Machine Weight	B	C	D *
NB4	F0103B0040AA	Std. - in	2.0–4.5	4.75	9.25	25 lbs	3	2.25	4.5
		Metric - mm	50.8–114.0	120.7	235.0	11.35 kg	76.2	57.2	114.3
NB6	F0103B0060AA	Std. - in	2.375–6.625	6.875	11.375	37 lbs	3	2.25	4.5
		Metric - mm	60.3–168.3	174.6	288.9	16.80 lbs	76.2	57.2	114.3
NB8	F0103B0080AA	Std. - in	3.5–8.625	8.875	13.375	43 lbs	3	2.25	4.5
		Metric - mm	88.9–219.1	225.4	339.7	19.52 kg	76.2	57.2	114.3
NB10	F0103B0100AA	Std. - in	4.5–10.75	11.25	15.75	50 lbs	3	2.25	4.5
		Metric - mm	114.3–273.1	285.8	400.1	22.7 kg	76.2	57.2	114.3
NB12	F0103B0120AA	Std. - in	6.625–12.75	13.25	17.75	56 lbs	3	2.25	4.5
		Metric - mm	168.3–323.9	336.6	450.9	25.42 kg	76.2	57.2	114.3
NB14	F0103B0140AA	Std. - in	8.625–14	14.5	19	63 lbs	3	2.25	4.5
		Metric - mm	219.1–355.6	368.3	482.6	28.6 kg	76.2	57.2	114.3
NB16	F0103B0160AA	Std. - in	10.625–16	16.5	21	70 lbs	3	2.25	4.5
		Metric - mm	219.1–406.4	419.1	533.4	31.78 kg	76.2	57.2	114.3
NB18	F0103B0180AA	Std. - in	12.75–18	18.5	23	75 lbs	3	2.25	4.5
		Metric - mm	323.9–457.2	469.9	584.2	34.05 kg	76.2	57.2	114.3
NB20	F0103B0200AA	Std. - in	14–20	20.5	25	83 lbs	3	2.25	4.5
		Metric - mm	355.6–508.0	520.7	635.0	37.68 kg	76.2	57.2	114.3
NB24	F0103B0240AA	Std. - in	18–24	24.5	29	98 lbs	3	2.25	4.5
		Metric - mm	457.2–609.6	622.3	736.6	44.49 kg	76.2	57.2	114.3
NB26	F0103B0260AA	Std. - in	20–26	26.5	31	104 lbs	3	2.25	4.5
		Metric - mm	508.0–660.4	673.1	787.4	47.21 kg	76.2	57.2	114.3
NB28	F0103B0280AA	Std. - in	22–28	28.5	33	112 lbs	3	2.25	4.5
		Metric - mm	558.8–711.2	723.9	838.2	50.84 kg	76.2	57.2	114.3
NB30	F0103B0300AA	Std. - in	24–30	30.5	35	118 lbs	3	2.25	4.5
		Metric - mm	609.6–762.0	774.7	889.0	53.57 kg	76.2	57.2	114.3
NB32	F0103B0320AA	Std. - in	26–32	32.5	37	124 lbs	3	2.25	4.5
		Metric - mm	660.4–812.8	825.5	939.8	56.29 kg	76.2	57.2	114.3
NB36	F0103B0360AA	Std. - in	30–36	36.5	41	135 lbs	3	2.25	4.5
		Metric - mm	762.0–914.4	927.1	1041.4	61.29 kg	76.2	57.2	114.3