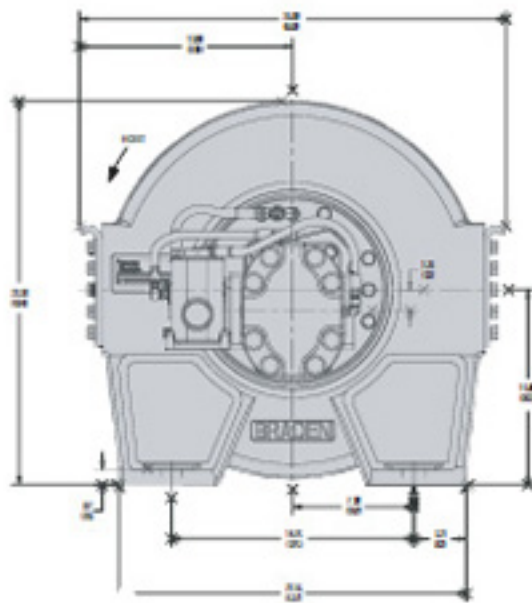
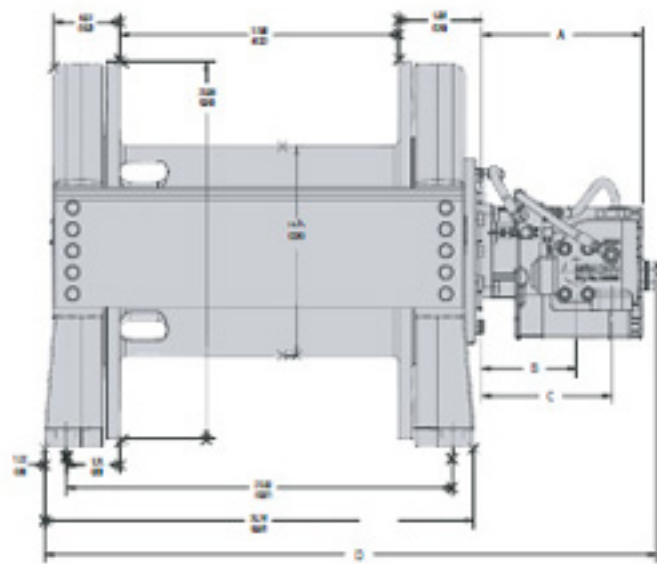


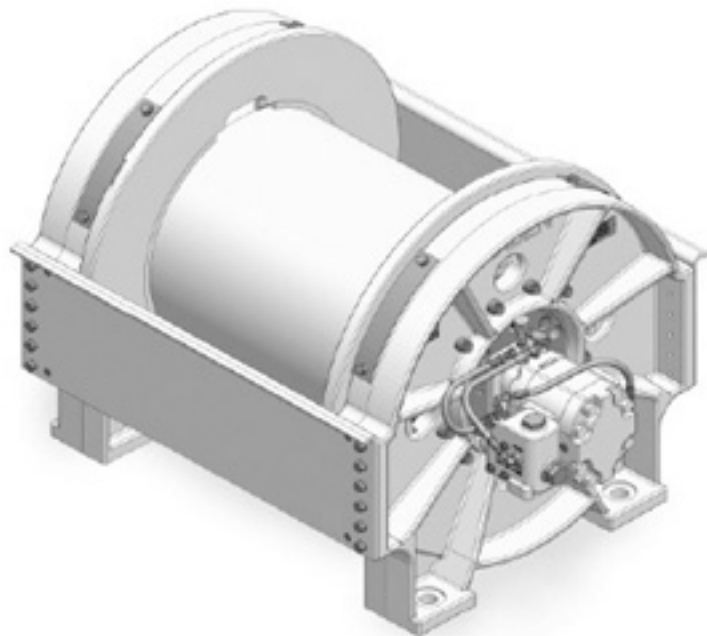
CH230B - 01 DRUM

23,000 LB First Layer Line Pull



CH165A Construction Hoist

16,500 LB Capacity



CH175B Construction Hoist

17,500 LB Capacity

